

# WATERPROOF FLEX STRIP 12V

RGB 30 LEDS P/M

RGB 60 LEDS P/M

Available in the colours:

**Warm White** (stock product)

**White** (stock product)

**Blue**

**Red**

**Green**

**Orange**

**Yellow**

**RGB** (stock product)

## FLEX STRIP SINGLE COLOUR HT 3M TAPE *INDOOR*

S-ST-WP-60

LED per meter	60
Cutting unit	3 Leds
Beam angle	120 degree
size	10x5000mm
Wattage	4,8W p/m
Voltage	12V

## FLEX STRIP RGB HT 3M TAPE *INDOOR* SCW-5050-RGB-30-HT

FLEX STRIP RGB FT WITHOUT TAPE *OUTDOOR*  
SFW-5050-RGB-30-FT

LED per meter	30
Cutting unit	3 Leds (10cm)
Beam angle	120 degree
Size	12x5000mm
Wattage	7,2W p/m
Voltage	12V
Constant ICS 24V	on order

## FLEX STRIP RGB HT 3M TAPE *INDOOR* SCW-5050-RGB-60-HT

FLEX STRIP RGB FT WITHOUT TAPE *OUTDOOR*  
SFW-5050-RGB-60-FT

LED per meter	60
Unit om in te korten	3 Leds (5cm)
Stralingshoek	120 degree
Afmetingen	14x5000mm
Wattage	14,4W p/m
Voltage	12V
Constant ICS 24V	On order



# DRIVERS



Item	Size	Input	Output	Currency	Power	IP
S-WP-BYQ-30W-12V	200x30x20mm	240V	12V	2,5A	30W	IP68



Item	Size	Input	Output	Currency	Power	IP
S-WP-BYQ-60W-12V	170x67x50mm	240V	12V	5A	60W	IP68



Item	Size	Input	Output	Currency	Power	IP
S-WP-BYQ-100W-12V	240x67x50mm	240V	12V	8,33A	100W	IP68



Item	Size	Input	Output	Currency	Power	IP
S-WP-BYQ-150W-12V	228x120x64mm	240V	12V	12,5A	150W	IP68

# CONTROLLERS



Remote controller with receiver



Reveal the LEDS by removing the cover tape.



Cut to the desired length on the closest cut mark printed on the product.



DMX controller for max. 16m



Any angle connection.



Solder leads to switching power supply indoor or outdoor type.

# INSTALLING

# RGB DMX CONTROLLER MANUAL

RGB DMX controller is LED lighting Controller system products, It works with LED light source.

## 1 Main technical Parameters:

Working Temperature: -20-60 °C  
Size: 162 × 138 × 47mm  
Net Weight: 755g  
Output: CMOS three open-drain output  
Standing current 4 A

Working Voltage: DC12V  
Package Size: L231 × W182 × H56 mm  
Gross weight: 820g  
Max Current 6 A

## 2. Controll Functions

Two kinds of Controll: buttons controll and DMX control  
MODE button for the mode of function keys, each time, a lighting-like color changes, according to UP button faster, according to DOWN button slow down.

Occupation of three DMX channels, respectively on the R, G, B dimming, such as:  
Address to 1, CH1 R brightness control, CH2 G brightness control, CH3 B brightness control.

DMX channel value (0 to 255) more , The higher the brightness.

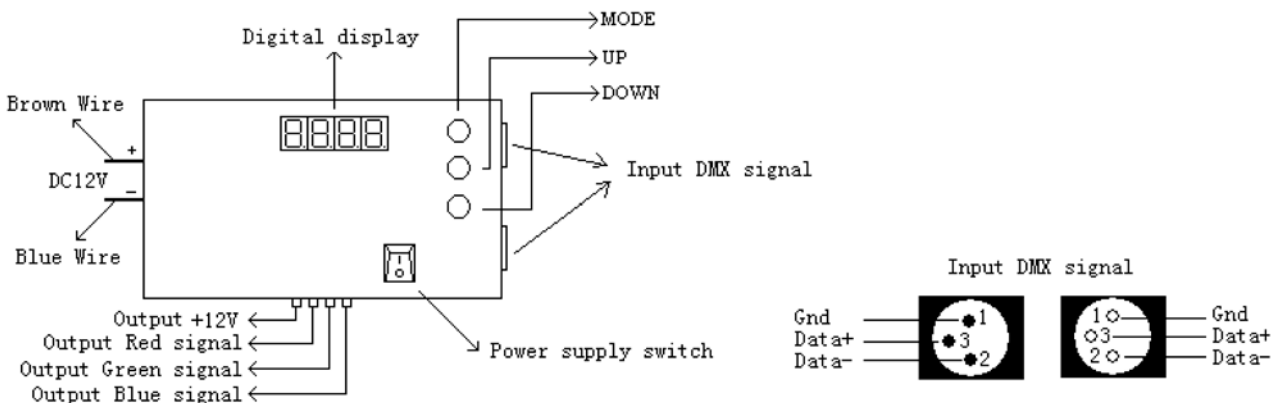
Table-like color changes are as follows:  
Serial number-like color Remarks

- 0 Auto
- 1 Chase Changing
- 2 Waterflow
- 3 Jump Changing
- 4 Graded Changing

Show and modify the DMX address code:

Hold down the MODE key to open the power switch, digital display shows the C \*\*\*, C code for the DMX address initials, \*\*\* for the DMX address code, such as: C001 that address code 1, according to UP or DOWN button may amend the Code of DMX address, modify: 1 to 999, and then kept out a MODE button.

3, and the panel that connection as shown below:



### Attention:

1. the product supply voltage for DC12V, shall not be received DC24V or AC220V.
2. shall not be short to each other, caused short-circuit.